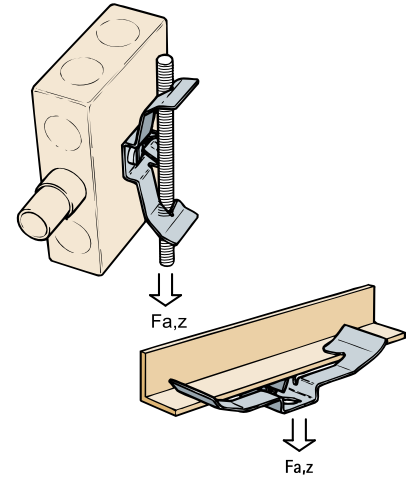
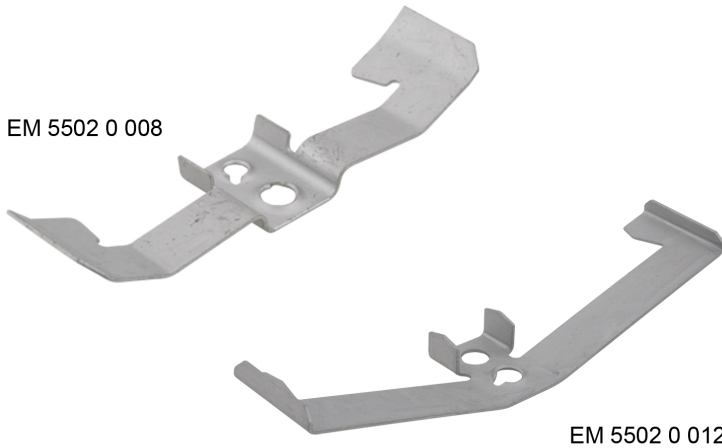


# Britclips® Utility Clip

for threaded rods or flanges

(J 25 115)

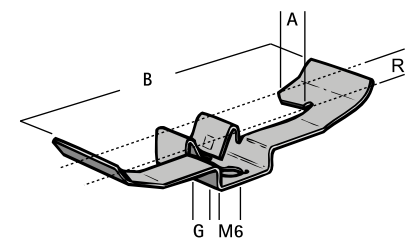


## Features and benefits

- for quick fixing to threaded rods or flanges without welding or drilling
- with female thread or hole for universal use
- material: spring steel (type CS70)
- surface treatment: Delta-Tone 9000 (480 hours)

| Part No.   | Code  | A<br>(mm) | R         | G  | B<br>(mm) | F <sub>a,z</sub><br>(N) | Pack 1 |
|------------|-------|-----------|-----------|----|-----------|-------------------------|--------|
| EM55020008 | UC250 | 3 - 7     | M4 - M8   | M4 | 80        | 220                     | 100    |
| EM55020012 | UC375 | 9 - 14    | M10 - M12 | M6 | 120       | 220                     | 100    |

*For use with static loads only.*



**Complementary**  
 BIS Stud Bolt  
 BIS Threaded Rod