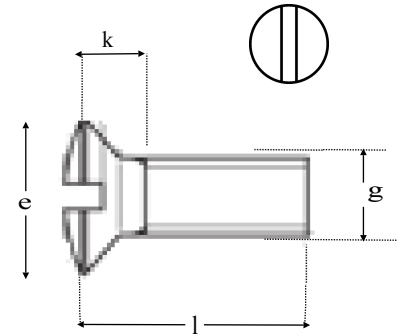


# Machine Screws Specifications

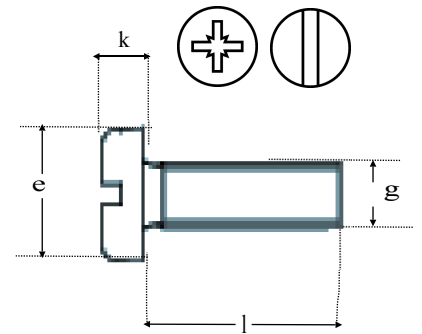
Slot Raised Machine Screws DIN964.  
Brass / Nickel Plated

Code	g -	l (length) available	e Avg(mm)	k	Pack Qty
<b>BPNM35</b>	M3.5	12-75mm	6.7	1.9	100



Slot Pan Head Machine Screws DIN85.  
Steel BZP Plated or Brass self colour

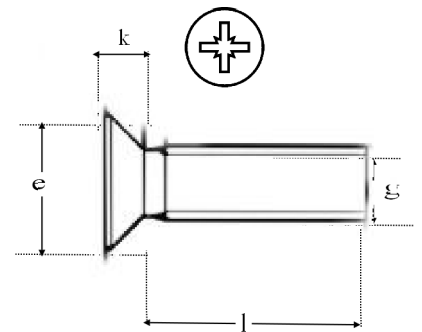
Code	g -	l (length) available	e Avg(mm)	k	PS No.	Pack Qty
<b>UP4XI *</b>	M4	12-40mm	8	2.4	1	100
<b>UP5XI</b>	M5	12-50mm	10	3.0	2	100
<b>UP6XI</b>	M6	12-50mm	12	3.6	2	100



\* Please note brass available in M4 code BPRM4

Cross Recess Csk Head Machine Screws DIN

Code	g -	l (length) available	e Avg(mm)	k	PS No.	Pack Qty
<b>UE4XI *</b>	M4	12-40mm	8		1	100
<b>UE5XI</b>	M5	12-50mm	10		2	100
<b>UE6XI</b>	M6	12-50mm	12		2	100



\* Please note brass available in M4 code BPRM4