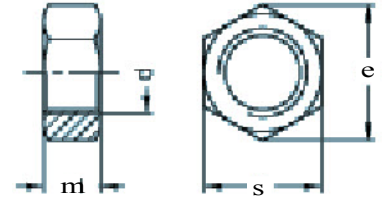


# Nut Specifications (Steel)

Manufactured from Steel and plated with CR6+ Zinc

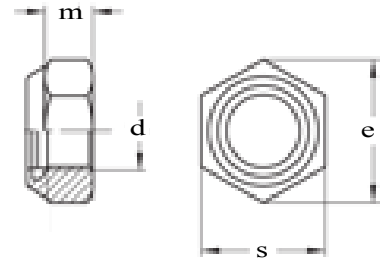
## Full Nuts (Grade 8)

Code	e	For screws	s	m	Pack Qty
ISNM4	7.66	M4	7.0	3.2	100
ISNM5	8.79	M5	8.0	4.0	100
ISNM6	11.05	M6	10.0	5.0	100
ISNM8	14.38	M8	13.0	6.5	100
ISNM10	18.9	M10	17.0	8.0	100
ISNM12	21.1	M12	19.0	10.0	100
ISNM16	26.75	M16	24.0	13.0	100
ISNM20	32.95	M20	30.0	16.0	50



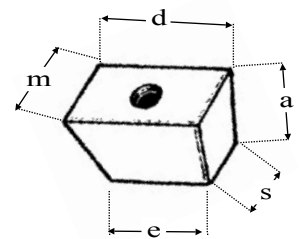
## Nyloc Nuts (Grade 8) Nylon Insert grips thread

Code	e	For screws	s	m	Pack Qty					
ISNNM5	8.79	M5	8.0	4.0	100					
ISNNM6	11.05	M6	10.0	5.0	100					
ISNNM8	14.38	M8	13.0	6.5	100					
ISNNM10	18.9	M10	17.0	8.0	100					
ISNNM12	21.1	M12	19.0	10.0	100					
ISNNM16	26.75	M16	24.0	13.0 </tr <tr> <td>ISNNM20</td> <td>32.95</td> <td>M20</td> <td>30.0</td> <td>16.0</td> <td>50</td> </tr>	ISNNM20	32.95	M20	30.0	16.0	50
ISNNM20	32.95	M20	30.0	16.0	50					



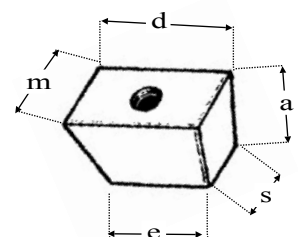
## Wedge Nuts Zinc/Yellow Passivated

Code	e mm	For screws	s	d	a	m	Pack Qty
IWNM6	19	M6	x	25	12	12	100
IWNM8	19	M8	x	25	12	12	100
IWNM10	19	M10	x	25	12	12	100
IWNM12	19	M12	x	25	12	12	100



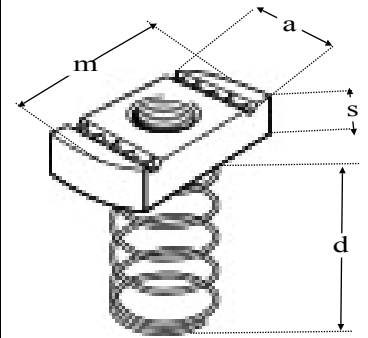
## Mini Wedge Nuts Zinc/Yellow Passivated

Code	e mm	For screws	s	d	a	m	Pack Qty
IWMM6	13	M6	x	21	10	12.5	100
IWMM8	13	M8	x	21	10	12.5	100
IWMM10	13	M10	x	21	10	12.5	100



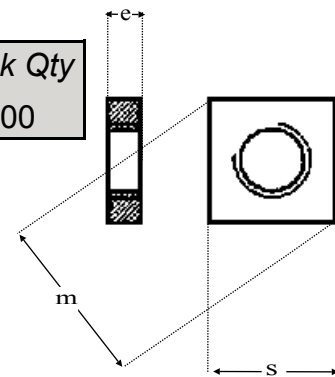
## Channel Nuts (Zebz)

Code	<i>m</i>	For screws	<i>a</i>	<i>s</i>	D mm (appx)	Pack Qty
<b>CNM6</b>		M6		6	-	100
<b>CNSM6</b>		M6		6	20	100
<b>CNLM6</b>		M6		6	35	100
<b>CNM8</b>		M8		6	-	100
<b>CNSM8</b>		M8		6	35	100
<b>CNLM8</b>		M8		6	35	100
<b>CNM10</b>		M10		8	-	100
<b>CNSM10</b>		M10		8	35	100
<b>CNLM10</b>		M10		8	35	100
<b>CNM12</b>		M12		10	-	100
<b>CNSM12</b>		M12		10	35	100
<b>CNLM12</b>		M12		10	35	100



## Square Nuts (M6) used with Roofing Bolts din 562

Code	<i>e</i>	<i>d</i>	<i>s</i>	<i>m</i>	Pack Qty
	<b>3.2</b>	M6	10	12.7	100



## Stud Connectors (Allthread Connectors) BZP

Code	<i>e</i>	For screws	<i>s</i>	<i>d</i>	Pack Qty
<b>ISCM6</b>	<b>11.05</b>	M6	10.0	25	100
<b>ISCM8</b>	<b>14.38</b>	M8	13.0	25	100
<b>ISCM10</b>	<b>18.9</b>	M10	17.0	35	100
<b>ISCM12</b>	<b>21.1</b>	M12	19.0	35	100

